

APEX

UAV
INTELLIGENT
DRONE
MANUFACTURER
SHENZHEN CHINA

2022-2023

Aerial Toys

Quadcopter

Model Aircraft

Drones

Apex Drone (Shenzhen) Co., Ltd.

F401 Building A001, Zhiji Group Industrial Park
No.92 Jinye Road, Kuichong Dapeng New District
Shenzhen, China 518119

Mobile:+86 183 1806 6529

Tel:(86)755-89777386; Fax:(86)755-89777386

Email:sales03@apextoyscn.com

Website:www.apextoyscn.com



ABOUT US

Apex was founded in 2002 and is a national high-tech enterprise. We are mainly focus in researching, designing and manufacturing of UAV intelligent drone products. Our strong supply chain system enables us to support high demand of global market in the industry.

Our core team started developing the software of intelligent aircraft since 2002. Then started designing and making RC airplanes by 2010. Now it has grown up to over 20 senior engineers in R&D, 10 representatives in sales and more than 500 skilled workers in production. We have built up ISO9001 system and passed ICTI, BSCI and GSV audition. Our products can meet all international standards. Our branded products has been sold widely in the global market. Our manufacturing takes over 12,000 square meters in space. With in house injection machines, high-speed SMT productions lines, wave soldering machines and plug-in lines, we have gained superior advantages in developing and manufacturing products at highly competitive cost.

GooDrone, independent high-end products R&D team, was established in 2015. It focuses in providing solutions for intelligent UAV and Robot products. The team has grown up to over dozen senior engineers and has obtained over 20 patents. (30 more pending)

Apex Toys Vietnam Co.,Ltd was set up in 2018,providing OEM and ODM services,having more than 10 production lines and 16 injection molding machines.

The world is constantly changing, but Apex holds the same!

Vision: Leads in the industry, fulfils the flight dream of humankind!

Mission: Move forward with our customers, grow together with our team!

Share prosperity with shareholders, take the social responsibility.

Values: People first, honesty, pragmatic, team spirt and enthusiasm at work!



UAV
INTELLIGENT
DRONE
MANUFACTURER
SHENZHEN CHINA

2022-2023





Obstacle
Avoidance
Aerial drone
避障航拍
无人机



6K video, 3-axis stabilization camera
Folding Function Palm control



SPECIFICATION / 飞行器

Fold Size 折叠尺寸: 135*95*55*mm
Unfold Size 展开尺寸: 310*280*55*mm
Weight 重量: 249 grams
Battery 电池: 7.4V / 2250mAh
Material 材质: ABS+PA
Gyroscope 陀螺仪: 6-axis
Motor 马达: 1504
Camera 相机: 6K
Flight time 飞行时间: 30 mins
Control range 飞行距离: 3km
Charging time 充电时间: 220 minutes

FEATURES / 特点

Precise positioning by GPS Wifi real-time transmission / GPS 精准定位, Wifi 数字实时传输
APP control real-time monitoring / APP控制实时监控
Strong power with 30mins flying time / 动力强劲, 30分钟飞行时间
6K video, 3-axis stabilization camera / 3轴云台相机, 6k 像素
Folding function, pocket carrying / 折叠功能口袋携带
3km Maxi control circular range / 最大控制范围3km 圆周范围
Six sides of obstacle avoidance / 六面避障

REMOTE CONTROL / 遥控器

Radio 传输频率: Wifi 5.0
Flight modes 飞行模式: GPS
Speed model 速度模式: 2 speeds

PACAKGE CONTAINS / 包装

1x Aircraft 无人机
1x Remote control 遥控器
1x USB cable 充电线
1x Patch cord 转接线
1x 7.4v Li-ion battery 电池
4x Spare propellers 浆叶
1x User manual 说明书



Real-time image WiFi Streaming



Folding Aerial Drone 折叠航拍 无人机



SPECIFICATION / 飞行器

Fold Size 折叠尺寸: 168*88*68*mm
 Unfold Size 展开尺寸: 370*330*68*mm
 Weight 重量: 300 grams
 Battery 电池: 7.4V/2250mAh
 Material 材料: ABS+PA
 Gyroscope 陀螺仪: 6-axis
 Motor 马达: 1506
 Camera 相机: 4K
 Flight time 飞行时间: 30 mins
 Control range 飞行距离: 2km
 Charging time 充电时间: 220 minutes

FEATURES / 特点

Precise positioning by GPS Wifi real-time transmission / GPS 精准定位, Wifi 数字实时传输
 APP control real-time monitoring / APP控制实时传输监控
 3-axis stabilization / 3轴云台相机
 Folding function, pocket carrying / 折叠功能, 口袋携带
 GPS intelligent positioning / GPS 智能定点
 Brushless motor / 无刷马达

REMOTE CONTROL / 遥控器

Radio 传输频率: Wifi 5.0
 Flight modes 飞行模式: GPS
 Speed model 速度模式: 2 speeds

PACAKGE CONTAINS / 包装

1x Aircraft 无人机
 1x Remote control 遥控器
 1x USB cable 充电线
 1x Patch cord 转接线
 1x 7.4v Li-ion battery 电池
 4x Spare propellers 浆叶
 1x User manual 说明书



Real-time image WiFi Streaming

APEX® X-240Pro

Osprey Drone



SPECIFICATION / 飞行器

Size 尺寸: 329*329*65*mm
Weight 重量: 175 grams
Battery 电池: 3.7V /1600mAh
Material 材料: ABS+PC
Gyroscope 陀螺仪: 6-axis
Motor 马达: φ8 (8620)
Camera 相机: 1080P
Flight time 飞行时间: 16-18 mins
Control range 控制距离: 200 meters (max)
Charging time 充电时间: 120 minutes

REMOTE CONTROL / 遥控器

Radio 传输频率: 2.4Ghz
Channel 通道: 4 channels
Material 材料: ABS

FEATURES / 特点

120 Wide angle lens camera / 120°广角镜头相机
High durability / 高耐用性
Follow me / 跟随功能
Dual GPS positioning system / 双GPS定位系统
APP control streaming live video / APP 控制, 实时图传画面
One key return home / 一键返航
4 Channels control / 4通道控制
1080P video and real-time transmission / 1080P视频实时传输

PACAKGE CONTAINS / 包装

1x Quadcopter 无人机
1x Remote control 遥控器
1x 3.7v Li-ion battery 锂电池
1x USB Charger 充电器
4x Spare blades 浆叶
1x User manual 说明书



FOLLOW ME

Dual GPS positioning system
Wifi Streaming Image to Your Mobile Device



Real-time image WiFi Streaming

APEX® X-240Pro
Apex,UAV Intelligent Drone Manufacturer

APEX® X-70

Racing Drone



RACING DRONE

竞速无人机

5.8G FPV VR / 5.8 G
Flight simulator suite
Head-chasing motion control



SPECIFICATION / 飞行器

Size 尺寸: 84*84*42 (mm)
Weight 重量: 35 grams
Battery 电池: 3.7V/400mAh
Material 材料: ABS+PA
Gyroscope 陀螺仪: 6-axis
Motor 马达: ϕ 7(0716)
Camera 相机: 480P
Flight time 飞行时间: 5-6 mins
Control range 控制距离: 200 meters
Charging time 充电时间: 60 mins

FEATURES / 特点

5.8G FPV VR / 5.8 G VR实时传输
Flight simulator suite / 飞行模拟器套装
Head-chasing motion control / 头追体感操控
Built-in 6-axis gyroscope for high stability / 内置6轴高稳定性陀螺仪
Auto channel searching Video& photo / 自动通道搜索视频和照片
Altitude hold / 定高
480P Camera real-time streaming / 480P 摄像头实时传输
Record and play live streaming videos / 录制和播放实时传输视频
2.4G wireless controller / 2.4 G无线控制器

REMOTE CONTROL / 遥控器

Radio 传输频率: 2.4Ghz
Channel 通道: 4 channels
Speed model 速度模式: 3 speeds

PACAKGE CONTAINS / 包装

1x Drone 竞速穿越机
1x Remote control 遥控器
1xVR 眼镜
1x 3.7v Li-ion battery 锂电池
1x USB cable 充电线
4x Blades 浆叶
1x User manual 说明书
1x Four-port audio cable 4段音频连接线



APEX® X-70
Apex,UAV Intelligent Drone Manufacturer



Head-chasing Motion control.

头追体感操控



SPECIFICATION / 飞行器

Size 尺寸: 175*175*85*mm
 Weight 重量: 148 grams
 Battery 电池: 7.4V /1000mAh
 Material 材料: ABS+PA
 Gyroscope 陀螺仪: 6-axis
 Motor 马达: 1503 Brushless
 Camera 相机: 480P
 Flight time 飞行时间: 10 mins
 Control range 控制距离: 500 meters (max)
 Charging time 充电时间: 150 minutes

FEATURES / 特点

5.8G VR FPV image transmission / 5.8G VR FPV图传
 LED light switching. LED灯切换
 Six-axis gyroscope / 六轴陀螺仪
 Self-stable semi-self-stable mode / 自稳半自稳模式
 Manual mode / 手动模式
 Three-speed regulation / 三档调速
 Head-chasing motion control / 头追体感操控

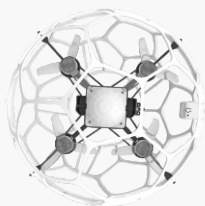
REMOTE CONTROL / 遥控器

Radio 传输频率: 2.4Ghz
 Channel 通道: 4 channels
 Speed model 速度模式: 3 speeds

PACAKGE CONTAINS / 包装

1x Drone 竞速穿越机
 1x Remote control 遥控器
 1xVR 眼镜
 1x 7.4v Li-ion battery 锂电池
 1x USB cable 充电线
 4x Blades 浆叶
 1x User manual 说明书
 1x Four-port audio cable 4段音频连接线



**SPECIFICATION / 飞行器**

Size 尺寸: 200*200*180*mm
 Weight 重量: 155 grams
 Battery 电池: 7.4V /1000mAh
 Material 材料: ABS+PA
 Gyroscope 陀螺仪: 6-axis
 Motor 马达: 1503 Brushless
 Camera 相机: 480P
 Flight time 飞行时间: 10 mins
 Control range 控制距离: 200 meters (max)
 Charging time 充电时间: 160 minutes

REMOTE CONTROL / 遥控器

Radio 传输频率: 2.4Ghz
 Channel 通道: 4 channels
 Speed model 速度模式: 3 speeds

FEATURES / 特点

5.8G VR FPV image transmission / 5.8G VR FPV图传
 LED light switching. LED灯切换
 Brushless motor / 无刷马达
 2.4 GHz, Remote control / 2.4G 遥控
 3D Aerial Stunt /3D 翻滚特技
 Anti turtle mode / 反乌龟模式
 Built-in 6-axis Gyroscope chip / 内置6轴陀螺仪
 One key take off/landing / 一键起飞/降落
 Crashing resistance / 防撞
 Altitude hold function / 定高

PACKAGE CONTAINS/ 包装

1x Drone 足球无人机
 1x Remote control 遥控器
 1x 7.4v Li-ion battery 锂电池
 1x USB cable 充电线
 4x Blades 浆叶
 1x User manual 说明书



Football drones 会飞的足球

Brushless moto
 3D Aerial Stunt
 Anti turtle mode
 American hand and Japanese hand switch



SPECIFICATION / 飞行器

Size 尺寸: 172*172*32 mm
 Weight 重量: 88 grams
 Battery 电池: 3.7V /1000mAh
 Material 材料: ABS+PA
 Gyroscope 陀螺仪: 6-axis
 Motor 马达: φ8.6 (8620)
 Camera 相机: 720P
 Flight time 飞行时间: 8-10 mins
 Control range 控制距离: 80 meters (max)
 Charging time 充电时间: 60-70 minutes

FEATURES / 特点

Mobile phone,RC dual control operation / 手机和遥控双重操作
 Suit for IOS/Android system / 适用于IOS/Android系统
 Computer version programming / 电脑编程
 Infrared obstacle avoidance/ 红外避障
 Optical flow localization/ 光流
 One key take off/landing / 一键起飞/降落
 Altitude hold function / 定高
 Built-in 6-axis gyroscope for high stability / 内置6轴陀螺仪, 高稳定性
 Unlock children's educational creativity/ 释放孩子的教育创造力
 Enhance children's practical ability / 提高孩子的动手能力

REMOTE CONTROL / 遥控器

Radio 传输频率: 2.4Ghz
 Channel 通道: 4 channels
 Speed model 速度模式: 3 speeds

PACAKGE CONTAINS / 包装

1x Drone 编程教育无人机
 1x Remote control 遥控器
 1x 3.7v Li-ion battery 锂电池
 1x USB cable 充电线
 4x Blades 浆叶
 1x User manual 说明书
 1x Mobile Phone Plastic Holder 手机夹子



Educational Drone

编程教育

Learn flying&programming for fun

APEX® X-65BL

Mini Educational Drone



SPECIFICATION / 飞行器

Size 尺寸: 80*80*55(mm)
Weight 重量: 27g grams
Battery 电池: 3.7V/220mAh
Material 材料: ABS+PA
Gyroscope 陀螺仪: 6-axis
Motor 马达: φ6(0615)
Charging 充电方式: USB cable(Included)
Flight time 飞行时间: 5-6 mins
Control range 控制距离: 10-15 meters
Charging time 充电时间: 50 mins

REMOTE CONTROL / 遥控器

Radio 传输频率: 2.4Ghz
Channel 通道: 4 channels
Speed model 速度模式: 3 speeds

FEATURES / 特点

2.4G Wireless Control / 2.4G 无线遥控
3D Aerial stunt roll / 3D 翻滚特技功能
Built-in 6-axis gyroscope for high stability / 内置6轴高稳定性陀螺仪
Auto Launch/landing with push of a button / 一键起飞, 一键降落
Indoor&Outdoor flying / 室内和室外飞行
3 Speed levels for beginner and skilled pilot / 3档速度适合初学和专业飞行者
Scratch software programming Scratch / 软件编程
Unlock children's educational creativity / 释放孩子的教育创造力
Enhance children's practical ability / 提高孩子的动手能力

PACAKGE CONTAINS / 包装

1x Drone 蓝牙编程无人机
1x Remote control 遥控器
1x 3.7v Li-ion battery 锂电池
1x USB cable 充电线
4x Blades 浆叶
1x User manual 说明书



Mini Educational Drone

Unlock children's educational creativity
Computer version programming



Learn flying&programming for fun

APEX® X-65BL
Apex,UAV Intelligent Drone Manufacturer

**SPECIFICATION / 车**

Wingspan 宽度: 102mm
 overlength 长度: 70mm
 Height 高度: 47mm
 Weight 重量: 130 grams
 Battery 电池: 3.7V/220mAh
 Material 材料: ABS+PC
 Frequency signal 频率信号: Bluetooth control
 Usage time 使用时间: 30 mins
 Control range 控制距离: 20 meters
 Charging time 充电时间: 60 mins

REMOTE CONTROL / 遥控器

Radio 传输频率: 2.4Ghz
 Speed model 速度模式: 3 speeds

FEATURES / 特点

One-button turn on/off / 一键开关机
 Suit for IOS/Android app system / 适合IOS 和安卓app系统
 Infrared obstacle avoidance / 红外避障
 App Programming / APP 编程
 Gesture following / 手势跟随
 Crashing resistance / 防撞设计
 Track driving (infrared circuit) function / 轨道行驶 (红外巡线)
 Programming Course Education / 编程课程教育

PACAKGE CONTAINS / 包装

1x Car 车
 1x Remote control 遥控器
 1x User manual 说明书
 10x Programming boards 编程拼板
 1x Map 地图
 1x USB cable 充电线



编程教育车

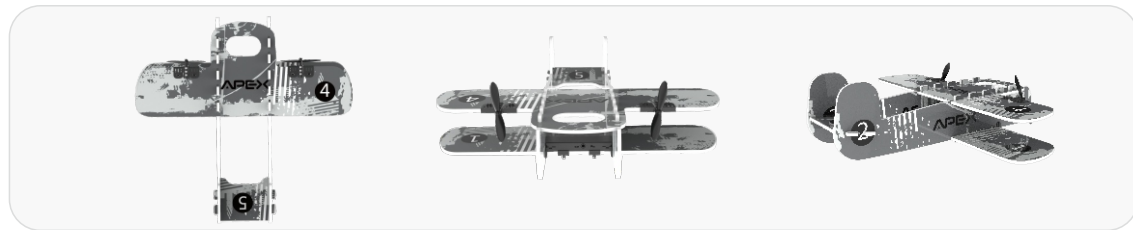
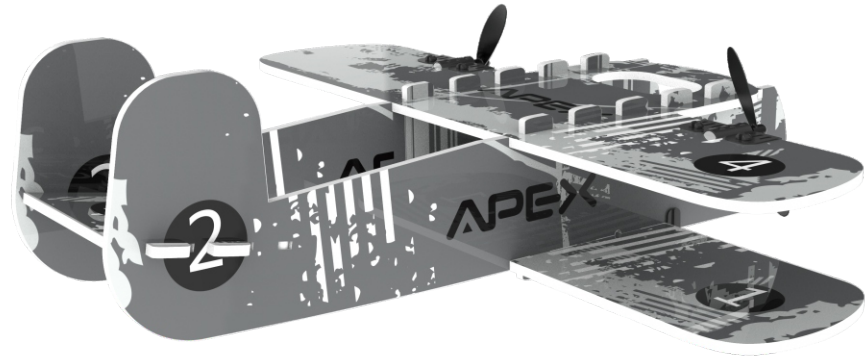
Coding Educational Car

Programming control acpustooptic modul
 Infrared obstacle avoidance



APEX® K5418AK

WWII aircraft



SPECIFICATION / 飞行器

Length 长度: 250mm
 Width 宽度: 265mm
 Height 高度: 72mm
 Weight 重量: 21 grams
 Battery 电池: 3.7V/110mAh
 Motor 马达: φ6 (0612)
 Material 材料: KT foam board
 Flight time 飞行时间: 6 mins
 Control Range 控制距离: 30 meters
 Charging Time 充电时间: 30mins

REMOTE CONTROL / 遥控器

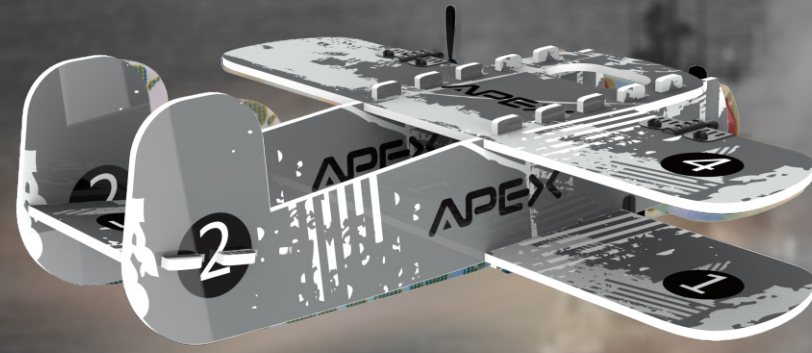
Radio 传输频率: 2.4Ghz
 Channel 通道: 2 channels
 Speed model 速度模式: 3 speeds

FEATURES / 特点

RC wind resisted Glider /防风设计
 DIY funny function DIY/趣味功能
 Crashing resisted material / 抗摔材料
 Perfect RC Plane for Beginner / 完美的初学者遥控飞机

PACAKGE CONTAINS / 包装

1x SET DIY foam board DIY泡沫
 1x Remote control 遥控器
 2x Rotors 浆叶
 1x USB cable 充电线
 1x User manual 说明书



The Classic
 Aircraft in The
 Second World War
 向经典致敬

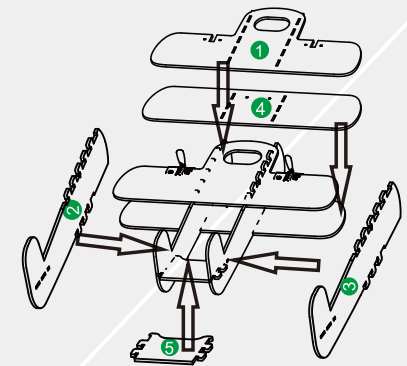
Salute to Classic

经典二战机

DIY

RC wind resisted Glider
 DIY funny function DIY
 Crashing resisted material
 Perfect RC Plane for Beginner

防风设计
 DIY 趣味功能
 抗摔材料
 完美的初学者遥控飞机





SPECIFICATION / 飞行器

Size 尺寸: 350*465*125mm
 Weight 重量: 59g
 Battery 电池: 3.7V/250mAh
 Motor 马达: D7*20mm
 Blades 风叶: 55*8*6mm
 Kit mode 模式: RTF
 Flying time 飞行时间: 6 mins
 Flying Range 控制距离: 30 meters
 Material 材料: KT foam board
 Charge time 充电时间: 40 mins

REMOTE CONTROL / 遥控器

Radio 传输频率: 2.4Ghz
 Channel 通道: 2 channels
 Speed model 速度模式: 3 speeds

FEATURES / 特点

RC wind resisted Glider / 防风设计
 DIY funny function can add colored drawing / 趣味功能
 Anti-interference / 抗摔材料
 Strong structure crash-resistance / 稳固的防撞结构

PACAKGE CONTAINS / 包装

1x SET DIY foam board DIY泡沫
 1x Remote control 遥控器
 2x Rotors 浆叶
 1x USB cable 充电线
 1x User manual 说明书



Mini Fighter 迷你战斗机

F22AK R/C



Experience The Different Battlefield
 体验不一样的战场

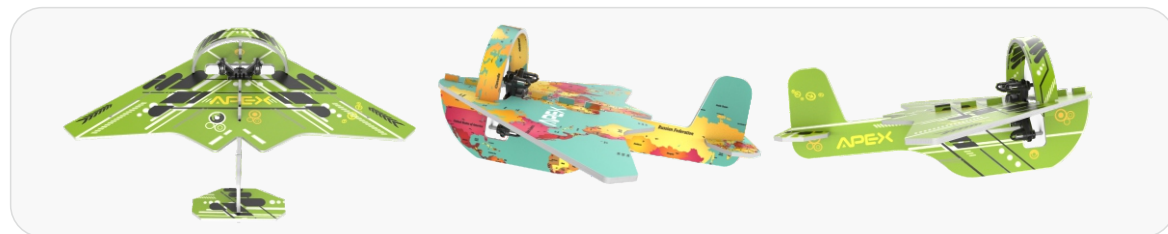
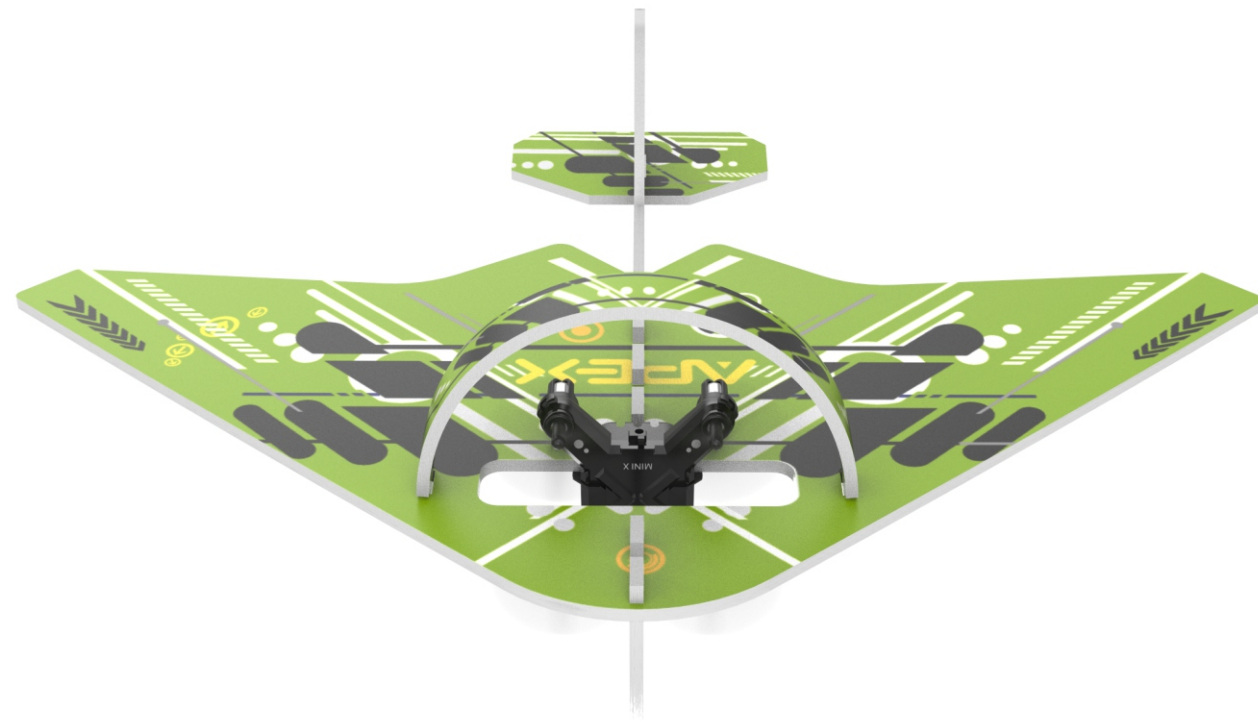
DIY

RC wind resisted Glider
 DIY funny function can add colored drawing
 Anti-interference
 Strong structure crash-resistance.

防风设计
 DIY 趣味功能
 抗摔材料
 稳固的防撞结构

APEX® M23K

Model Airplane



SPECIFICATION / 飞行器

Wingspan 长度: 330mm
 overlength 宽度: 230mm
 Height 高度: 105mm
 Weight 重量: 22.8 grams
 Battery 电池: 3.7V/140mAh
 Motor 马达: φ6 (612)
 Propeller: 3.4*4cm
 Material 材料: KT foam board
 Flight time 飞行时间: 5-7 mins
 Control range 控制距离: 50-80 meters
 Charging time 充电时间: 30mins

REMOTE CONTROL / 遥控器

Radio 传输频率: 2.4Ghz
 Channel 通道: 4 channels
 Speed model 速度模式: 3 speeds

FEATURES / 特点

DIY 2 in 1 combination / DIY二合一组合
 new generation glider / 新一代滑翔机
 PP magic KT board, anti-impact material
 / PP魔术KT板, 防冲击材料
 Longer Flight time with durable Lithium-ion battery
 / 耐用锂电池, 飞行时间长
 Instant 2.4G Wireless Communication / 2.4G无线通信
 Stand-alone single frequency, support multiplayer
 / 单机单频, 支持多人操作
 Control sensitivity / 操纵灵敏

PACAKGE CONTAINS / 包装

1x SET DIY foam board DIY泡沫
 1x Drone 四轴飞行器
 1x Remote control 遥控器
 2x Rotors 桨叶
 1x USB cable 充电线
 1x User manual 说明书



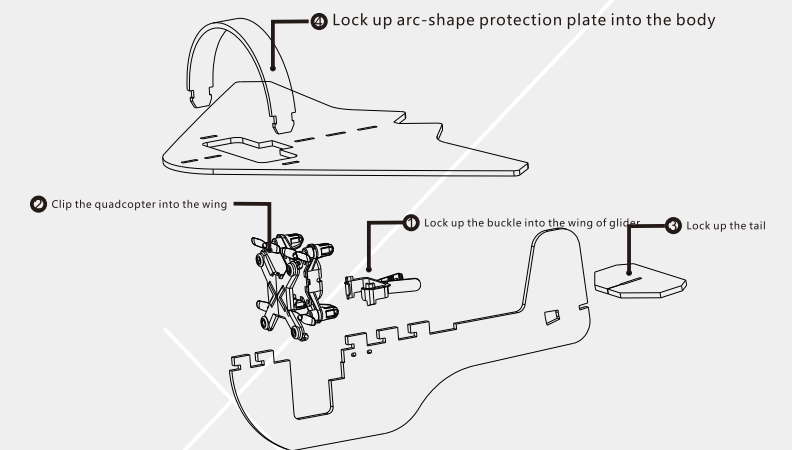
Flying Dream Starts Here



2 In 1 Glider
 Brand New Idea
 Brand New Concept

DIY

RC wind resisted Glider
 DIY FUN
 Crashing resistance material
 New flying experience
 Good choice for DIY Hobbyist
 New generation glider!



Assembled as shown

APEX® GD-M23 K
 Apex,UAV Intelligent Drone Manufacturer

APEX® X-65A

Ghost Drone



Mini Dark Ghost Racing Drone

High speed as swift as the wind.



SPECIFICATION / 飞行器

Size 尺寸: 80*80*34(mm)
Weight 重量: 23.5 grams
Battery 电池: 3.7V/220mAh
Material 材料: ABS+PA
Gyroscope 陀螺仪: 6-axis
Motor 马达: φ6(0615)
Flight time 飞行时间: 5-6 mins
Control range 控制距离: 60-80 meters
Charging time 飞行时间: 50 mins

FEATURES / 特点

2.4G wireless controller / 2.4 G无线控制器
360 Degree Stunt Roll / 3D 翻滚 特技
Built-in 6-axis gyroscope for high stability / 内置6轴高稳定性陀螺仪
Indoor and outdoor wind resistance / 室内外抗风
High durability / 高耐用性
Altitude hold / 定高
3 Speed levels for beginner and skilled pilot / 3档速度适合初学和专业飞行者

REMOTE CONTROL / 遥控器

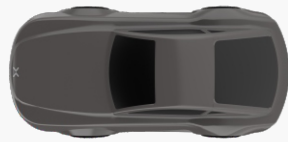
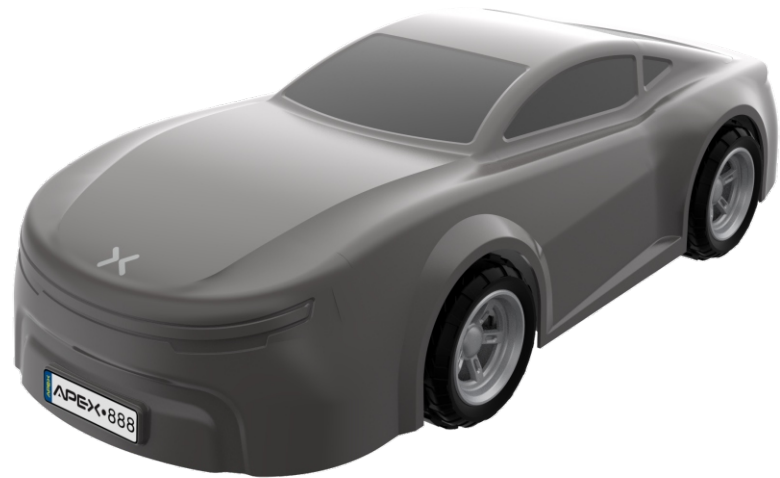
Radio 传输频率: 2.4Ghz
Channel 通道: 4 channels
Speed model 速度模式: 3 speeds

PACAKGE CONTAINS / 包装

1x Quadcopter 飞行器
1x Remote control 遥控器
1x 3.7v Li-ion battery 锂电池
1x USB cable 充电线
4x Blades 浆叶
1x User manual 说明书



Agile, Brave, Follow Your Heart!

**SPECIFICATION / 车**

Size 尺寸: 267*123*75(mm)
 Weight 重量: 285 grams
 Battery 电池: 1.5V AAA 干电池
 Material 材料: ABS+PP
 Motor 马达: 130
 Control range 控制距离: 30 meters
 Advance speed 前进速度: 1.5-1.7m/s
 Climbing Angle: 爬坡角度: 13°

REMOTE CONTROL / 遥控器

Radio 传输频率: 2.4Ghz
 Channel 通道: Two-channels

FEATURES / 特点

2.4G wireless controller / 2.4 G无线控制器
 Forward , backward / 前进、后退
 Turn left, turn right / 左转弯、右转弯

PACKAGE CONTAINS / 包装

1x Car 车
 1x Remote control 遥控器
 1x User manual 说明书



2.4G WIRELESS CONTROLLER

2.4 G无线控制

